



The name Moore & Wright is internationally known for the manufacture of precision measuring tools and is a guarantee of quality and accuracy.

At every stage of production each component is subjected to precise control and rigid inspection to ensure the highest standards of accuracy and finish.

It is recognised that many of the precision tools manufactured by the Company are themselves used as a basis of inspection and the setting of standards in countless other industries throughout the world.

Now in its second century of existence, the renowned Moore & Wright Company provides global industry with a wider range of precision measuring tools than ever before. Synonymous with accuracy and ease of use, the famous M&W logo continues to act as a guarantee of outstanding product quality at an affordable price.

Moore & Wright
 Unit 15, Bordon Trading Estate, Bordon, Hampshire GU35 9HH
 sales@moore-and-wright.co.uk www.moore-and-wright.co.uk
 Telephone: 08708 50 90 50 Fax: 08708 50 90 60



MEASURING FACES ARE LAPPED FLAT TO 0.00001" HARD WEARING TUNGSTEN CARBIDE FACES OPTIONAL

HARDENED TOOL STEEL SPINDLE FULLY STABILISED

LOCKING LEVER-EASY TO USE & ADJUSTABLE FOR WEAR

STEM WITH LONGER SPINDLE BEARING GIVING MAXIMUM STABILITY AND LONG LIFE

10° MEASURING ANGLE GIVES GREATER CLARITY OF READING

PRECISION DIVIDED GRADUATIONS ARE INDIVIDUALLY CUT

16mm THIMBLE FOR EASY READING

PRECISION GROUND THREAD

MOORE & WRIGHT
 SHEFFIELD, ENGLAND

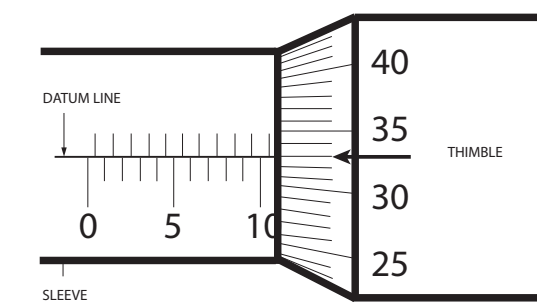
RATCHET HEAD FOR EVEN PRESSURE

HOW TO READ A MICROMETER

METRIC

Reading in hundredths of a millimetre (0.01mm)

1. First note the whole number of mm divisions on the sleeve (major divisions).
2. Then observe whether there is a half mm visible.
3. Finally read the line on the thimble coinciding with the datum line. This gives hundredths of a mm.



Ten x 1.0	=	10.0mm
One x 0.5	=	0.5mm
Thirty-three x 0.01	=	0.33mm
TOTAL	=	10.83mm

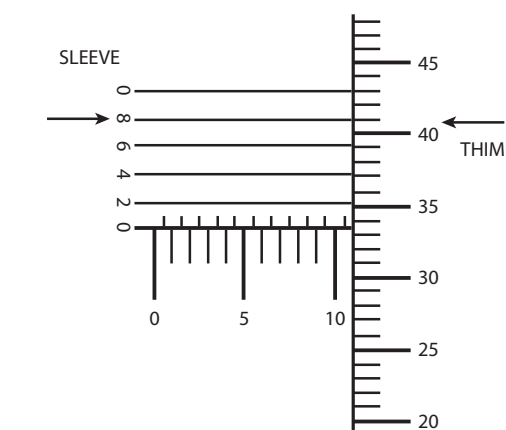
Reading in two thousandths of a millimetre (0.002mm) with vernier scale micrometer.

Read as a standard micrometer steps 1-3 (above) = 10.83.

When the centre line of the sleeve falls between the graduations on the thimble, the unknown amount is read by using the vernier scale on the sleeve, which measures two thousandths of a mm (0.002 mm).

Note which line on the vernier scale coincides with the line on the thimble, then read the number (8) off the vernier scale and add this to the normal reading.

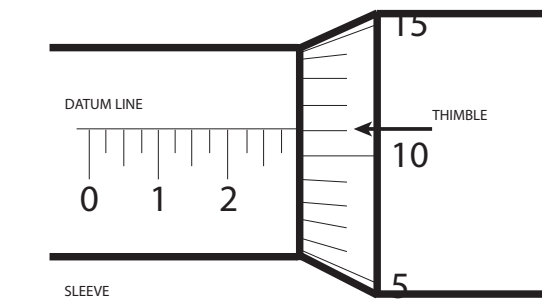
		10.83mm
Four x 0.002	=	0.008mm
TOTAL	=	10.838mm



IMPERIAL

To read in one thousandths of an inch (0.001")

1. First note the whole number of major divisions (tenths of an inch or 0.1" shown on the sleeve).
2. Then note the number of minor divisions after the whole number (each minor division is equal to a quarter of a major division, ie. Twenty five thousandths of an inch or 0.025").
3. Finally, read the line on the thimble coinciding with the datum line. This gives thousands of an inch.



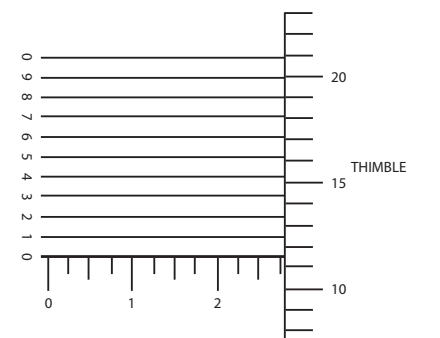
Two x 0.1	=	0.2"
Three x 0.025	=	0.075"
Eleven x 0.001	=	0.011"
TOTAL	=	0.286"

Reading in tenths of a thousandths of an inch (0.0001") with vernier scale micrometer.

Read as a standard micrometer 1-3 = 0.286.

When the centre line of the sleeve falls between the graduations on the thimble the unknown amount is read by using the vernier scale on the sleeve, which measures to one tenth of a thousandth of an inch (0.0001"). Note which line on the vernier scale coincides with a line on the thimble, then read the number off the vernier scale and add this to the normal reading.

		0.286"
Seven x 0.0001	=	0.0007"
TOTAL	=	0.2867"



SPECIAL MICROMETERS



GEAR TOOTH MICROMETERS
MES 3 Series

TUBE MICROMETERS
MES 2 Series

BALL ENDED MICROMETERS
MES 3 Series

SPLINE MICROMETERS
MES 4 Series

POINT MICROMETERS
MES 8 Series